

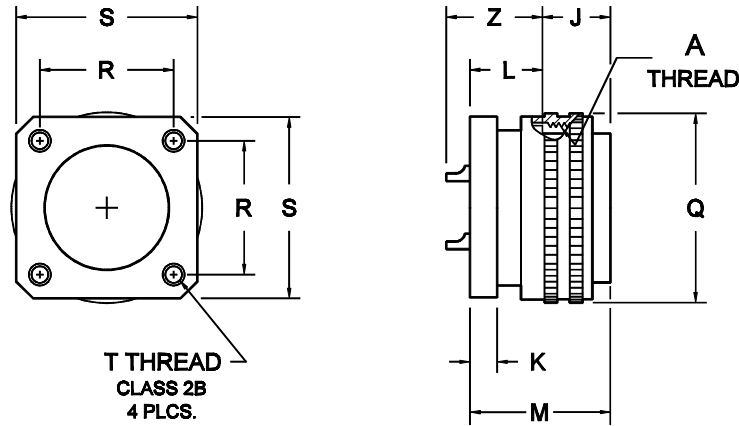
SCP05Z

(AMPHENOL 97-5105 "R1" DIMENSION)

SCP06PPFP

(VEAM VS2600 "R2" DIMENSION)

PANEL MOUNT PLUG



SHELL SIZE	A COUPLING THREAD CLASS 2B	J ±.005 [±0.13]	K ±.005 [±0.13]	L ±.020 [±0.51]	M REF.	Q DIA. MAX	R1 ±.005 [±0.13]	R2 ±.005 [±0.13]	S ±.020 [±0.51]	T THREAD CLASS 2B [+0.10] [-0.05]	Z ±.045 [±1.14]
8S	1/2-28 UNEF	.531 [13.49]	.125 [3.18]	.463 [11.76]	.994 [25.24]	.732 [18.59]	.562 [14.27]	.594 [15.09]	.781 [19.84]	4-40NC	.562 [14.27]
10S	5/8-24 UNEF	.531 [13.49]	.125 [3.18]	.463 [11.76]	.994 [25.24]	.844 [21.44]	.562 [14.27]	.719 [18.26]	.781 [19.84]	4-40NC	.562 [14.27]
10SL	5/8-24 UNEF	.531 [13.49]	.126 [3.20]	.463 [11.76]	.994 [25.24]	.946 [24.03]	.562 [14.27]	.719 [18.26]	.781 [19.84]	4-40NC	.562 [14.27]
12	3/4-20 UNEF	.719 [18.26]	.156 [3.96]	.650 [16.51]	1.369 [34.77]	.987 [25.07]	.812 [20.62]	.812 [20.62]	1.062 [26.97]	4-40NC	.812 [20.62]
12S	3/4-20 UNEF	.531 [13.49]	.156 [3.96]	.463 [11.76]	.994 [25.24]	.987 [25.07]	.812 [20.62]	.812 [20.62]	1.062 [26.97]	4-40NC	.562 [14.27]
14	7/8-20 UNEF	.719 [18.26]	.156 [3.96]	.650 [16.51]	1.369 [34.77]	1.114 [28.30]	.812 [20.62]	.906 [23.01]	1.062 [26.97]	4-40NC	.812 [20.62]
14S	7/8-20 UNEF	.531 [13.49]	.156 [3.96]	.463 [11.76]	.994 [25.24]	1.114 [28.30]	.812 [20.62]	.906 [23.01]	1.062 [26.97]	4-40NC	.562 [14.27]
16	1-20 UNEF	.719 [18.26]	.156 [3.96]	.650 [16.51]	1.369 [34.77]	1.226 [31.14]	1.000 [25.40]	.969 [24.61]	1.312 [33.32]	6-32NC	.812 [20.62]
16S	1-20 UNEF	.531 [13.49]	.156 [3.96]	.463 [11.76]	.994 [25.24]	1.226 [31.14]	1.000 [25.40]	.969 [24.61]	1.312 [33.32]	6-32NC	.562 [14.27]
18	1 1/8-18 UNEF	.719 [18.26]	.156 [3.96]	.650 [16.51]	1.369 [34.77]	1.353 [34.37]	1.000 [25.40]	1.062 [26.97]	1.312 [33.32]	6-32NC	.812 [20.62]
20	1 1/4-18 UNEF	.719 [18.26]	.188 [4.78]	.650 [16.51]	1.369 [34.77]	1.483 [37.67]	1.250 [31.75]	1.156 [29.36]	1.625 [41.28]	10-32NF	.812 [20.62]
22	1 3/8-18 UNEF	.719 [18.26]	.188 [4.78]	.650 [16.51]	1.369 [34.77]	1.608 [40.84]	1.250 [31.75]	1.250 [31.75]	1.625 [41.28]	10-32NF	.812 [20.62]
24	1 1/2-18 UNEF	.719 [18.26]	.188 [4.78]	.712 [18.08]	1.431 [36.34]	1.735 [44.07]	1.562 [39.67]	1.375 [34.92]	2.000 [50.80]	10-32NF	.812 [20.62]
28	1 3/4-18 UNS	.719 [18.26]	.188 [4.78]	.712 [18.08]	1.431 [36.34]	1.971 [50.06]	1.562 [39.67]	1.562 [39.67]	2.000 [50.80]	10-32NF	.812 [20.62]
32	2-18 UNS	.719 [18.26]	.250 [6.35]	.775 [19.68]	1.494 [37.94]	2.228 [56.59]	1.812 [46.02]	1.750 [44.45]	2.500 [63.50]	10-32NF	.812 [20.62]
36	2 1/4-16 UN	.719 [18.26]	.250 [6.35]	.775 [19.68]	1.494 [37.94]	2.483 [63.07]	1.812 [46.02]	1.937 [49.20]	2.500 [63.50]	10-32NF	.812 [20.62]
40	2 1/2-16 UN	.719 [18.26]	.250 [6.35]	.775 [19.68]	1.494 [37.94]	2.737 [69.52]	2.250 [57.15]	2.188 [55.58]	3.031 [76.99]	10-32NF	.812 [20.62]

1. DIMENSIONS IN BRACKETS [] ARE IN MILLIMETERS.

2. ALL LOCKWIRE HOLES .045 [1.14] DIA. MIN.

3. INCREASE Z DIMENSION, SO MARKED (*), BY .312 [7.92] FOR SIZE "O" CONTACT ONLY.

SCP05ZJ